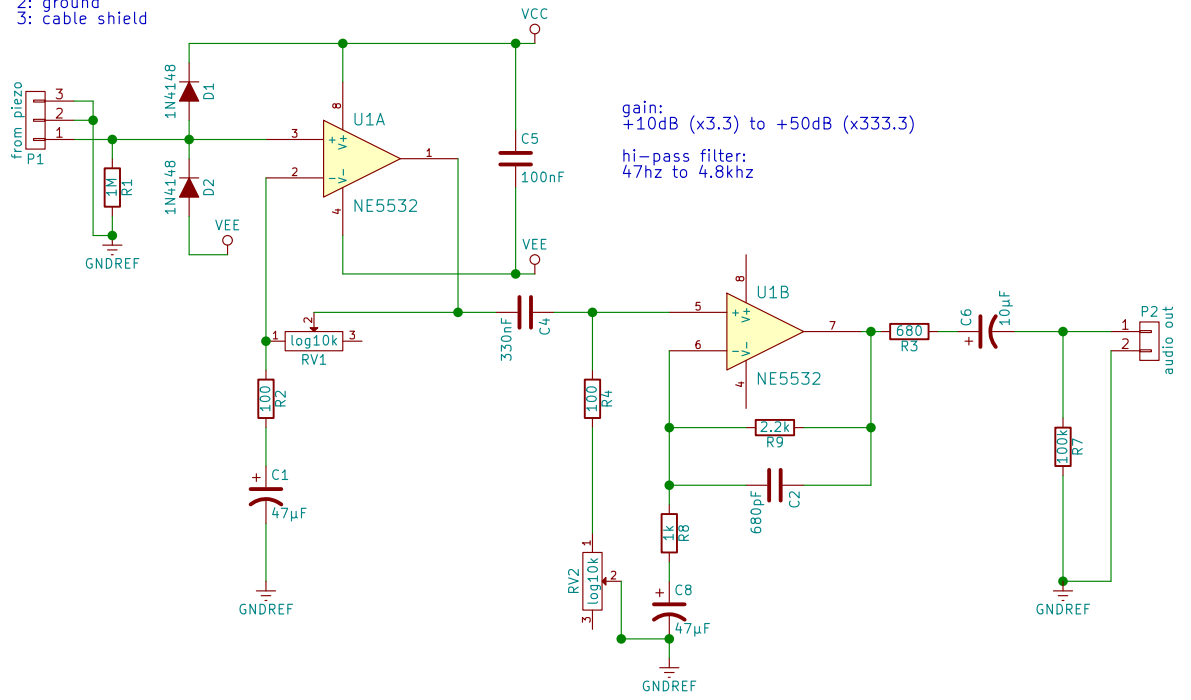
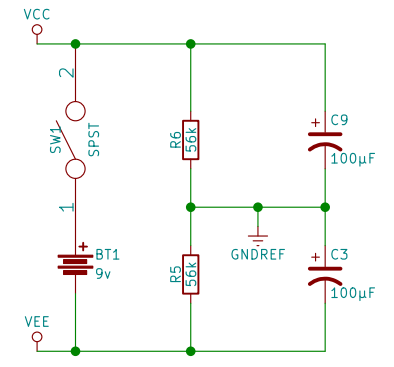


from piezo
 1: signal
 2: ground
 3: cable shield



gain:
 +10dB (x3.3) to +50dB (x333.3)
 hi-pass filter:
 47hz to 4.8khz

power supply using 9v battery



Duplicate op-amp net for second channel
 ilski

Sheet: /
 File: piezo preamp.sch

Title: Piezo Preamp with High-Pass Filter

Size: A4	Date: 2015-11-05	Rev: 5
KiCad E.D.A. kicad (2015-09-14 BZR 6197)-product		Id: 1/1